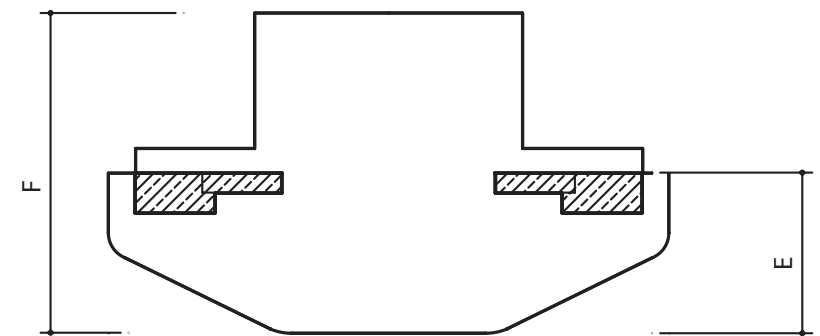
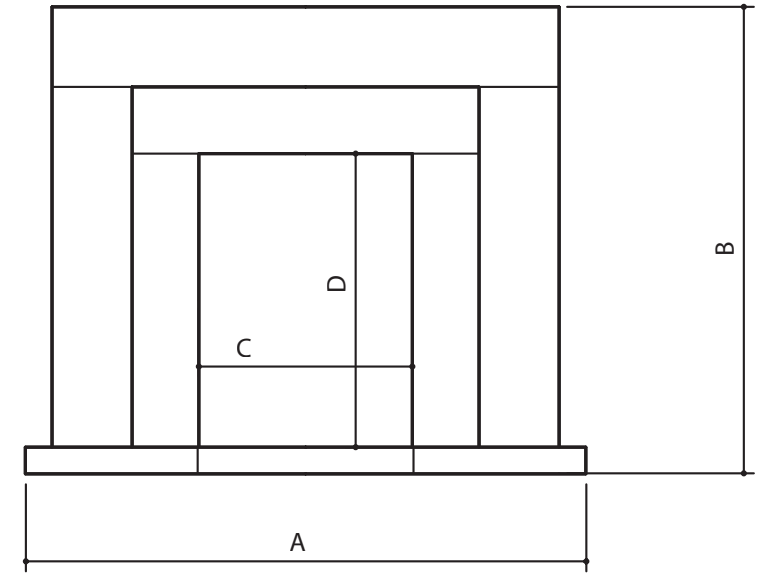


# the **Avila**



	inches	mm		inches	mm
A	42	1065	D	22	559
B	35	889	E	12	304
C	16	406	F	24	608